



Bricscad® V12 integrates intelligent 3D direct modeling with the familiar 2D feature set of native .dwg. The user interface allows you to model and design with unmatched speed. It supports hundreds of third party applications based on .dwg, from all over the world. And Bricscad is affordable.

Compatibility

You can open AutoCAD® files and work on them instantly, while AutoCAD® users can do the same with Bricscad files. It's that simple and easy. The familiar Bricscad interface requires no extra training, nor do any third party applications that you are used to. Just continue the job.

Price

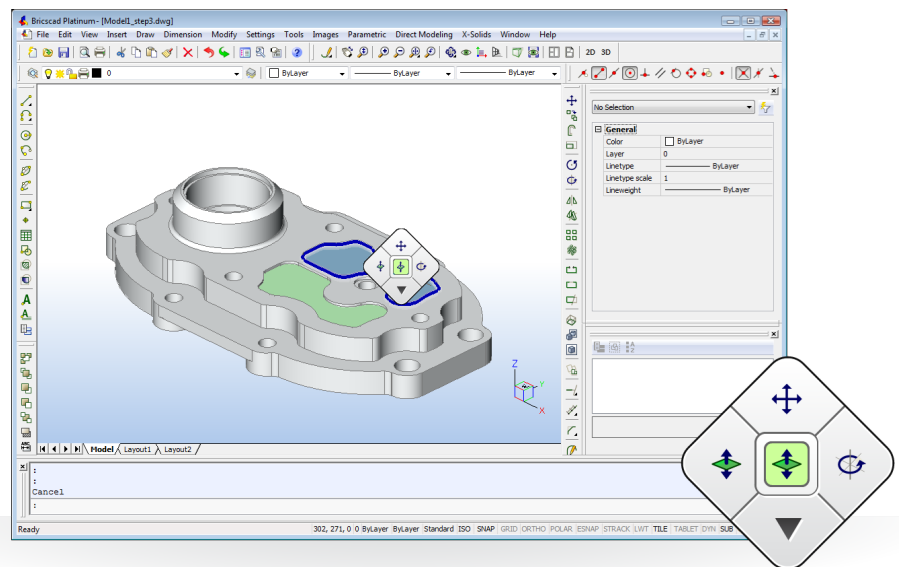
Bricscad offers great value for your money. Bricscad is generally recognized as the best deal for quality and price.

Versatility

Already hundreds of applications run on Bricscad. The alternative API's of the Bricscad platform are absolutely unmatched. Users who have customizations or in-house-developed add-ons via AutoCAD® API's can continue to run them on Bricscad, without modification.

Support

Bricsys has a unique online support system for all users. You can communicate online with our support analysts and have access to all your support requests and all our answers at any time. It is also available for third party application developers. At our community, the Bricsys Meeting Point, you can have conversations with your peers, other engineers, other developers, and more.



Bricscad® V12 offers Direct Modeling in native .dwg - no conversion needed - and you can add 3D constraints to the model and keep full control over them. Modeling in rendered mode is made easy. You can learn it in just about an hour thanks to the Quad interface, reducing clicks to an absolute minimum. Bricscad, so much more than simply "an alternative".

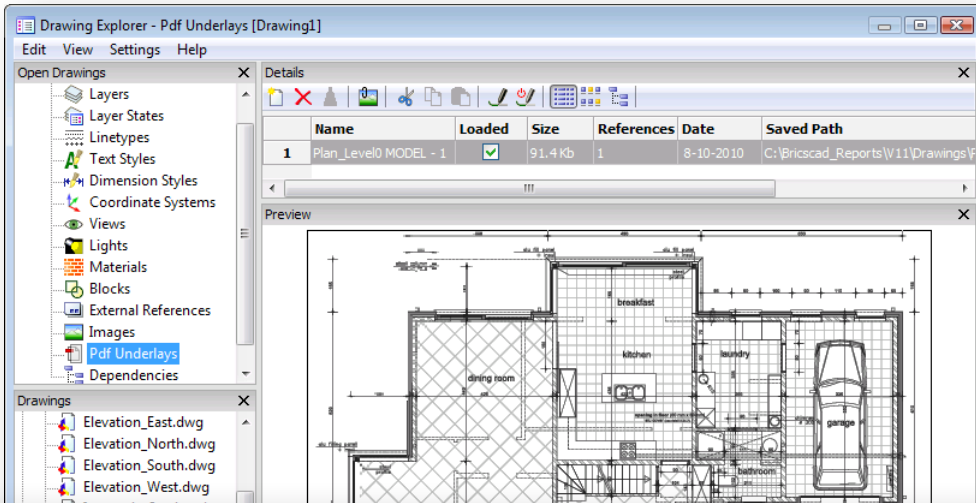
Key Features

- Native .dwg 2010 file format
- Support for AutoCAD 2.5 to 2012
- Powerful Rendering Engine
- Associative Dimensions
- Grips and dynamic input
- Reference Edit
- Powerful Drawing Explorer
- Consolidated Settings Manager
- Visual Basic for Applications (VBA)
- LISP (VL, VLR, VLA, VLAX support)
- Highly compatible ADS/SDS API
- Highly compatible COM API
- BRX/ARX support

V12 Features **NEW**

- 3D Direct Modeling in Rendered Mode
- Design intent recognition
- 2D and 3D constraint solving
- Quad interface
- New fast Raster Engine
- Hatch trim
- Custom hatch patterns
- New PDF Engine
- Page setups
- Section planes
- Visual styles

Explore your next generation CAD workplace

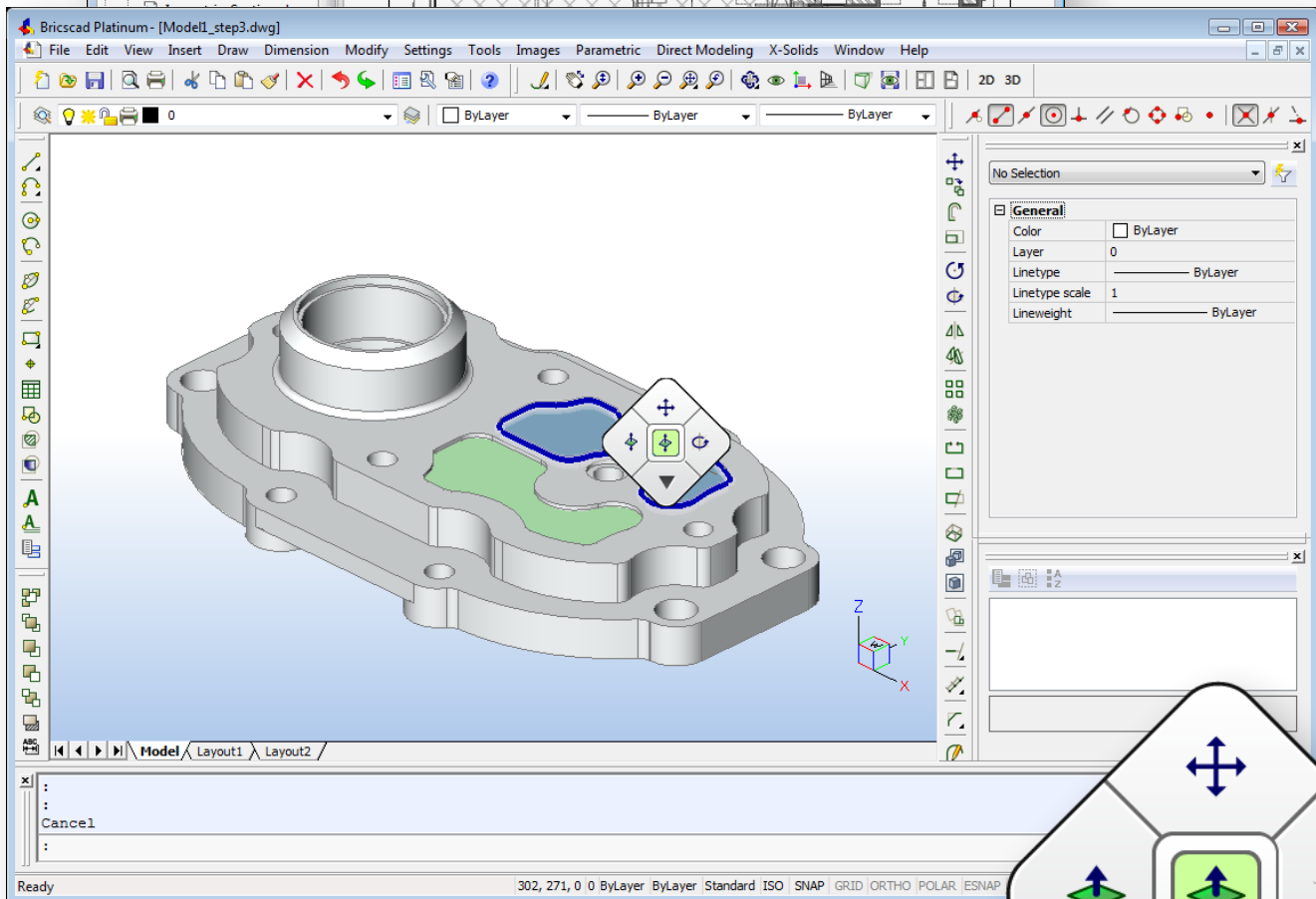


New PDF Engine **NEW**

The new PDF Engine makes it even faster to use PDF underlays. Attach any pdf file to your drawing and snap to the geometry contained in the pdf.

Fast Raster Engine **NEW**

New multi-platform engine, developed in-house, with enhanced support for large bitmap files.



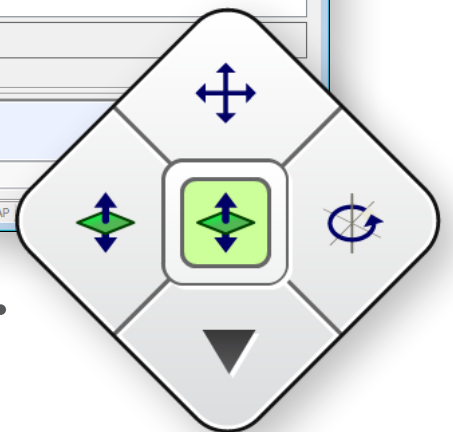
3D Direct Modeling in Rendered Mode **NEW**

Bricscad provides advanced easy-to-use functions for working with ACIS solid geometry, such as the creation and modification of solid geometry, fillets and chamfers and direct interactive manipulation of solid faces. All these operations are performed in interactive mode: the result of the operation is shown dynamically.

The key feature of direct editing capabilities provided by Bricscad consists in preserving design intent. Another feature of Direct Editing operations is that they can be easily applied using the Quad interface. Direct modeling operations apply to all ACIS solid geometry, whether they were created in Bricscad or imported, and can be combined with regular solid modeling operations.

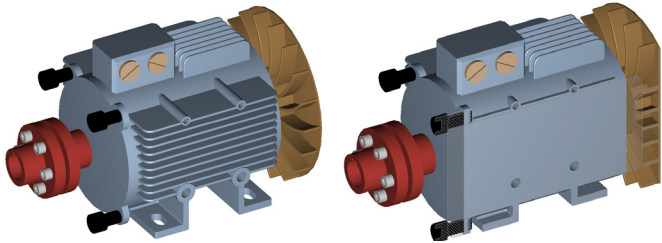
Quad interface **NEW**

The Quad interface offers a rich set of editing operations while requiring fewer clicks, without cluttering the screen with lots of grip-glyphs. While the Quad was initially conceived for easy and fast editing of 3D solids, in upcoming Bricscad versions the Quad will be extended to allow enhanced editing of all entity types. With the Quad, selecting an entity and starting a command takes a single click.



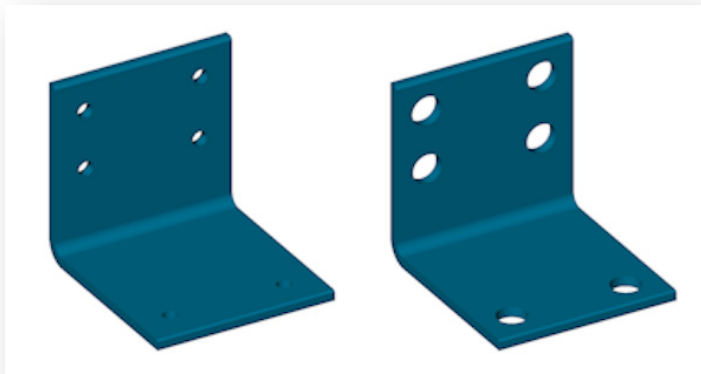
Section planes with live sections **NEW**

You can define and save section planes in a drawing, which can then be used to either display an on-screen live section through a 3D model or to export the cross section to a block as a 2D cross section/elevation or a 3D cutaway section.



Design Intent recognition **NEW**

For example, consider a model with a number of holes, each with the same radius. When the radius of a cylindrical face is modified, other faces that share the same diameter are recognized and modified automatically to keep the radii synchronized.



2D and 3D constraint solving **NEW**

Bricscad offers powerful tools for direct solid modeling using geometric constraints solving. Solid models can be modified by defining constraints between its elements. If there is a 3D constraint which fixes the placement of faces or edges, this constraint will be preserved during your modeling operations. It allows you to parameterize any feature of the 3D model.



Page setups **NEW**

Using page setups you don't need to go through all the options on the Print dialog each time you want to print your drawing. All settings can now be saved to a Page Setup, which can then be applied to a layout. Page Setups are saved in the drawing and can be copied between drawings.

	Name	Based on	Device name
1	*Layout1*	<None>	None
2	*Layout2*	<None>	None
3	*Model*	<None>	None
4	A3 - Adobe PDF		default.pc3
5	A4 - Canon LJ35		default.pc3

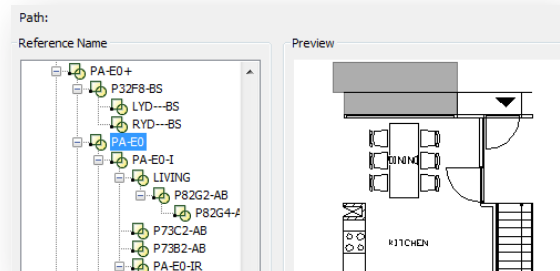
Visual Styles **NEW**

With the implementation of visual styles Bricscad lets you control how 3D models are presented on-screen. You can control the way faces and edges look, and whether or not to display a background, shadows, materials and lights.

	Name	Description	Face style
1	2dWireframe	2dWireframe	Lighting quality
2	3D Hidden	3D Hidden	Color
3	3dWireframe	3dWireframe	Monochrome Color
4	Conceptual	Conceptual	Material display
5	Realistic	Realistic	<input type="checkbox"/> Opacity
6	My Style		On/Off
			Opacity

Reference Editing

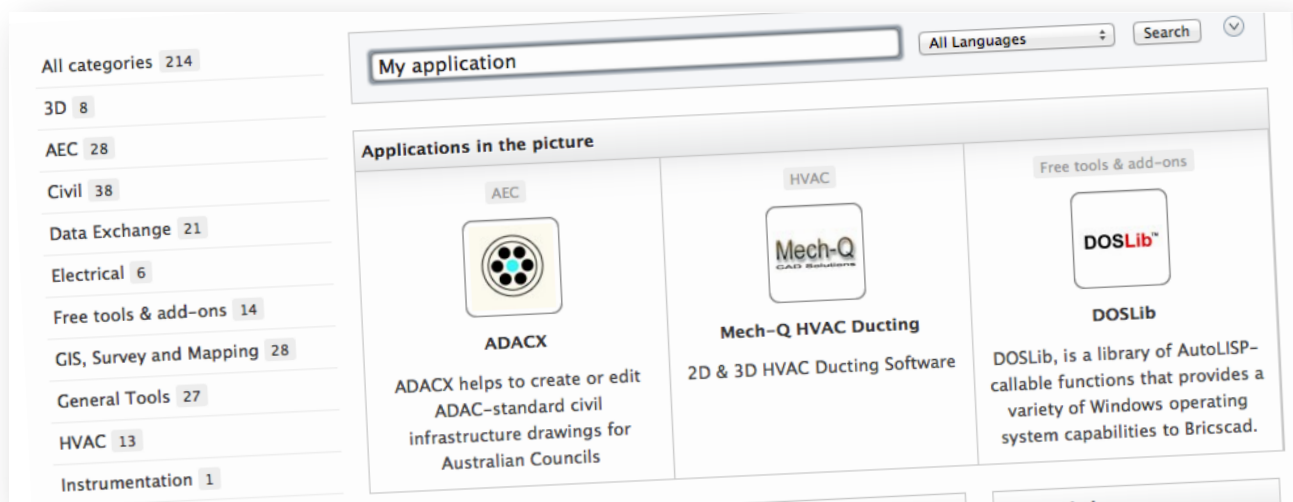
In-place editing of Xrefs and Blocks. Nested blocks are detected automatically and presented in a tree view. A preview of each block or Xref helps you select.



Settings Manager

Provides a unique, easy to search, consolidated overview of all system variables and settings.

viewing	
Entity creation	
Entity modification	
Copy mode	Repeat automatically
Explode mode	<input checked="" type="checkbox"/> Explode nonuniformly scaled blocks
Mirror text	<input checked="" type="checkbox"/> Mirror text
Offset distance	-1.00
Chamfer/Filet	
Chamfer mode	Distance-Distance
Chamfer first distance	10.00
Chamfer second distance	10.00
Chamfer length	0.00
Chamfer angle	45°0'0"
Fill mode	10.00



Port your application to Bricscad using your unmodified source code. Bricscad has a full blown application development environment, allowing you to port AutoCAD® based applications and run them using unmodified source code. It gives the application developer tremendous freedom and independence. No one likes to be limited to just one platform.

We are there for you from day one

The Bricsys development team has a specialized department with dedicated developers for the different development environments (LISP, COM, .NET, ADS, ARX). We also have special support for application developers who need assistance in porting applications to Bricscad or simply require technical information about the porting process.

Why port your application to Bricscad?

1. Port and run your application with the same source code.
2. Hundreds of applications have been already ported.
3. Active extra sales efforts, free of charge.
4. Application Catalog and Store.
5. Application Support System.

Bricsys Application Catalog

Add your application to our online catalog in just five minutes. With our intuitive interface you can make your custom application page in no time at all.

Bricsys Application Store

Set-up your own e-store with the same functionality, currencies, payment services and security as we do for our own Bricsys products, free of charge.

Bricsys Application Support

This system allows visitors of the application catalog to create a support request for your application using one click, and it allows you to get an overview of all your support requests.



Bricsys® is a global provider of engineering software through its network of 70 offices on four continents. The product portfolio consists of Bricscad and Vondle (an extended SaaS platform). Bricscad integrates intelligent 3D direct modeling with the familiar 2D feature set of native .dwg. It globally supports hundreds of third-party applications based on .dwg. Bricsys products are available in 16 languages, with additional languages in development.

Bricsys nv

Bellevue 5/201
B - 9050 GENT
Belgium
contact.eu@bricsys.com

Bricsys Inc.

39 Merrimack Drive
Merrimack, NH 03054
USA
contact.us@bricsys.com